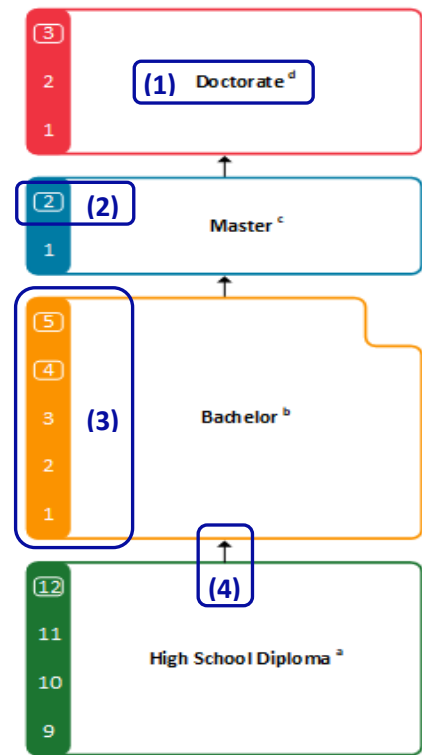


Education System Charts

ECE® Education System Charts represent the typical progression through the country's educational system, from primary to higher education. Charts include the credential name, program duration, credential type or level, and typical progression through the system.

- (1) **Credential name** is included in the native language or English, with superscript letters to match the credential to the Key (included with ECE® Connection Advantage).
- (2) **Program duration** is reflected by a white box around the year(s) the credential is typically awarded.
- (3) **Credential type** or level is indicated by color. Colors generally refer to:
 - Green = Primary & Secondary
 - Orange = Undergraduate / 1st Cycle
 - Light Blue = Graduate / 2nd Cycle
 - Red = Doctoral / 3rd Cycle
 - Dark Blue = Vocational
 - Grey = Professional, alternative or optional paths
- (4) **Typical progression through the system** is represented by arrows. Not all pathways, credentials, or progressions are included. Major system changes are included if they were recently adopted.



Education System Keys

ECE® Education System Keys are available to ECE® Connection Advantage subscribers. For information on how to become an ECE® Connection Advantage user, go to TheConnection.ece.org/Advantage. Keys include detailed credential information and supplement the Charts. They may include the following:

- **Credential type** or level indicates the level of education within the educational system.
- **Credential name** is included in the native language with English translation (if applicable). Pertains to the benchmark credential awarded. If there are alternate names, the most common is listed on the chart, with possible variations listed on the key.
- **Typical age of the student** is included for primary and secondary education only. Also defines end of compulsory education (if applicable).
- **Duration** of the program is cited, and whether education is part-time or full-time.
- **Admission requirement** indicates normal requirements needed to access the program.
- **Awarding/Regulating body** is listed for credentials, as well as teaching institution (if applicable).
- **Institutional providers** are highlighted with the comment: *Offered at*
- **Progression through the system** is referenced by the comment: *Provides access to*

g. *Licenciado* (Licentiate)

- Credential names include *Licenciado*, *Licenciatura*, and *Licenciatura Plena*
- Admission based on completion of *Ensino Médio* (b) and *ENEM/Vestibular* (c, d)
- 3-5 years
- Focus on teacher training
- Regulated by: MEC
- Awarded by: higher education institutions
- Provides access to: advanced standing in *Bacharel* (h) programs in same field; *Especialista* (i) programs; *Mestre* (j) programs; some *Doutor* (k) programs; teaching profession

Additional information provided, if available:

- **Level** within a National Qualification Framework is mentioned.
- **Credits, or their equivalent**, are included if part of a standardized system.